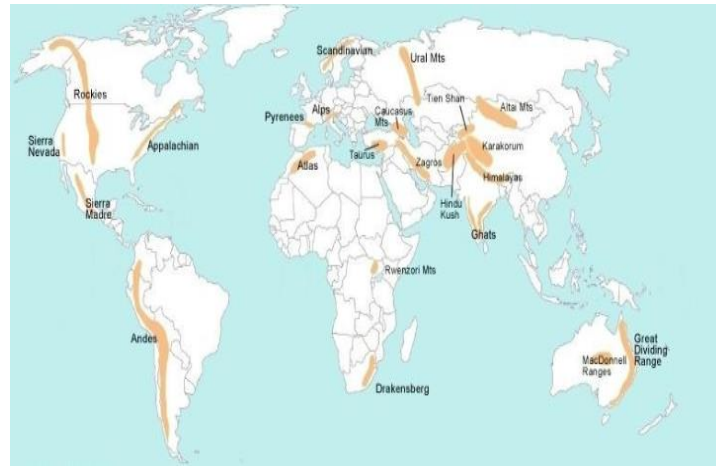


|Autumn 2 Knowledge Organiser – Mountains and Electricity |

Key Words

Altitude	a measurement of distance, going up
Erosion	when wind or water sweeps away rock or soil from one place on the Earth's surface to another
Mountain range	a group of mountains that form a chain or cluster
Summit	the highest point on a mount
Tectonic plates	large pieces of rock that make up the Earth's surface
Valley	low ground in between mountains
avalanche	a mass of snow, ice, and rocks falling rapidly down a mountainside
glacier	a slowly moving mass or river of ice formed by the accumulation and compaction of snow on mountains
crevasse	a deep open crack, especially one in a glacier.



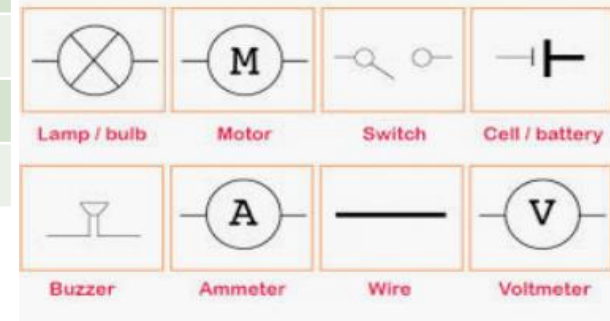
Famous Mountain Ranges

1	The Himalayas, Asia
2	The Rocky Mountains, North America
3	The Andes, South America
4	The Ural Mountains, Europe
5	The Alps, Europe
6	The Pyrenees, Europe

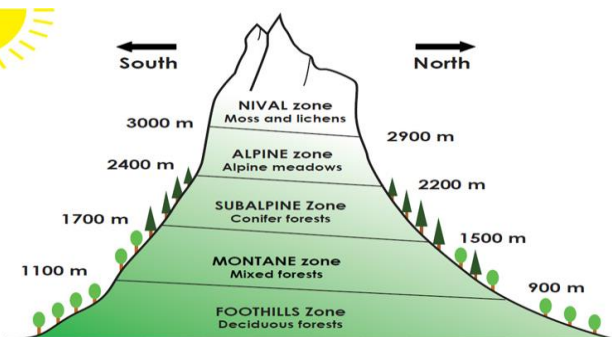
Highest Mountains in the World Above Sea Level

1	Mount Everest	8848m 29029ft	Himalayas –Nepal and China
2	K2	8611m 28251ft	Himalayas –Pakistan and China
3	Kangchenjunga	8586m 28169ft	Himalayas –Nepal and India
4	Lhotse	8516m 27940ft	Himalayas –Nepal and China
5	Makalu	8485m 27838ft	Himalayas –Nepal and China

Electrical Symbols



Zoning of Plants on Mountains



Famous Everest Mountaineers

• Edmund Hilary	New Zealander. First to reach Everest summit 1953
• Tenzing Norgay	Nepalese. First to reach Everest summit 1953 alongside Hilary
• Reinhold Messner	Italian. One of the first to summit Everest without oxygen
• Yuichiro Miura	Japanese. Summited Everest at the age of 80 years and 224 days.
• Jordan Romero	American. Youngest to summit at 13 years old

